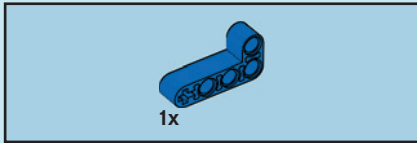
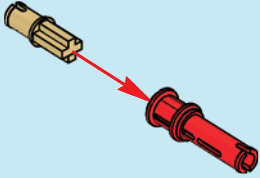
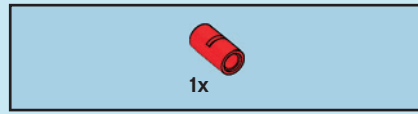
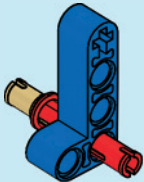


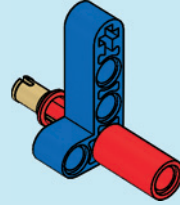
1



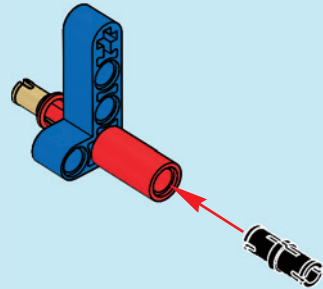
2

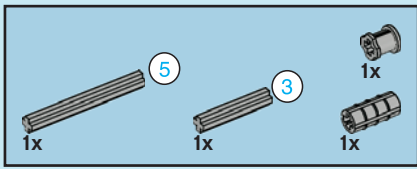


3

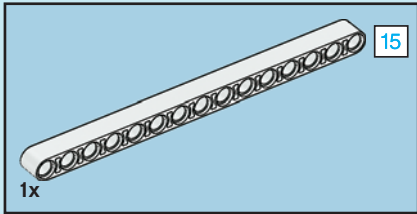
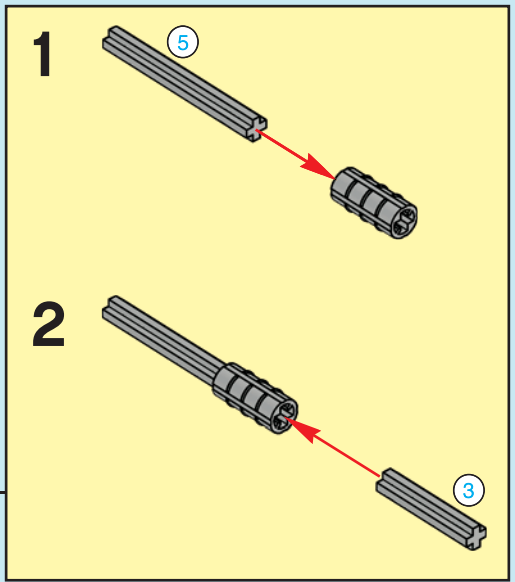
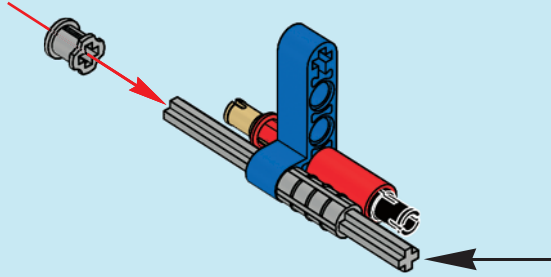


4

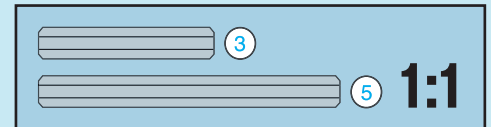
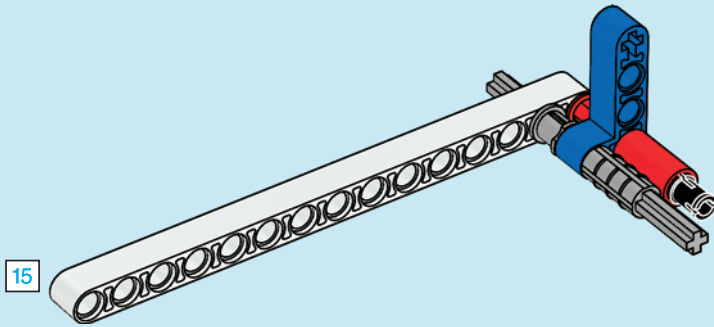




5

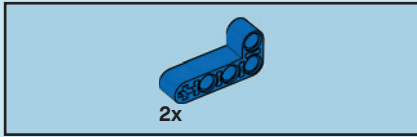
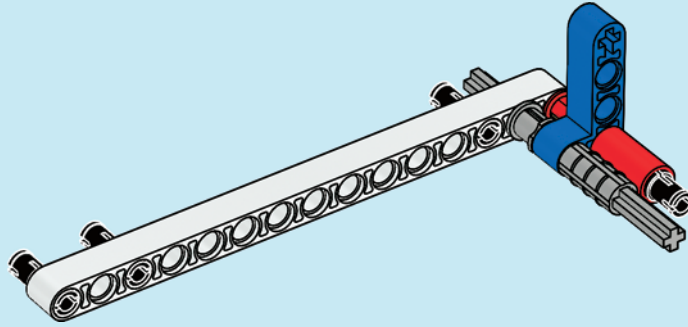


6

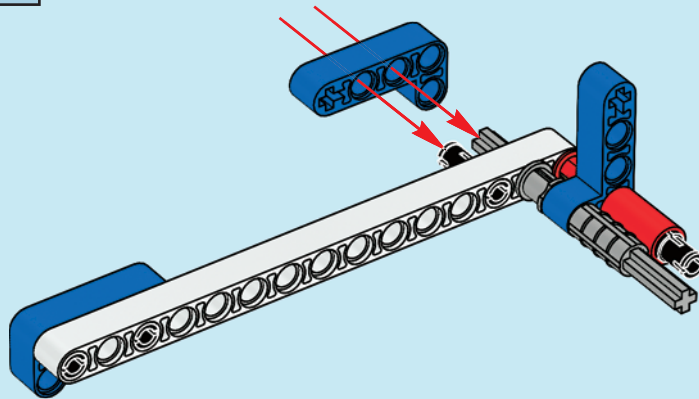




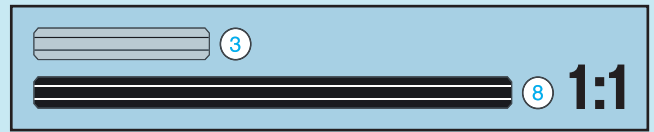
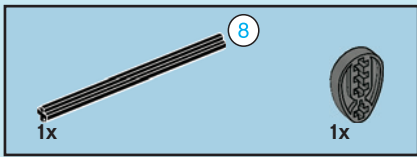
7



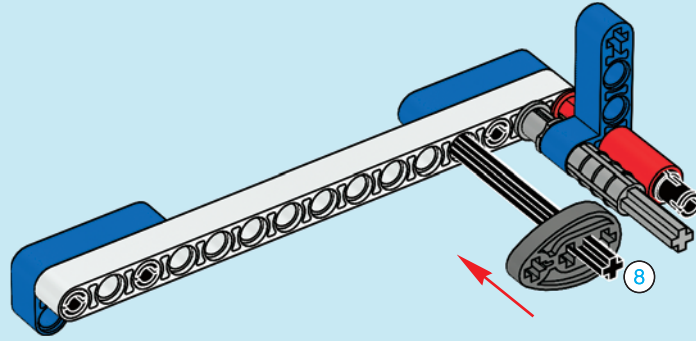
8



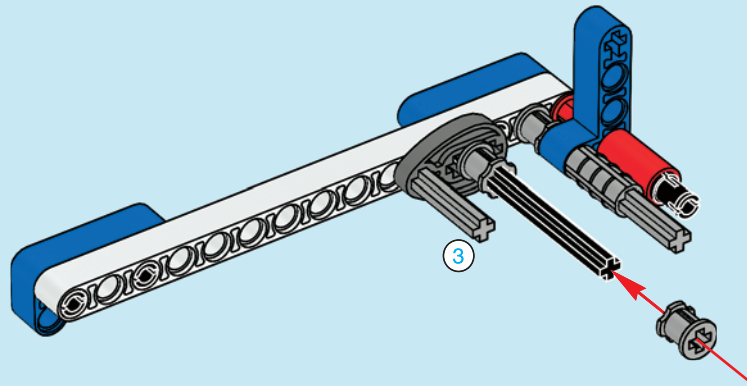


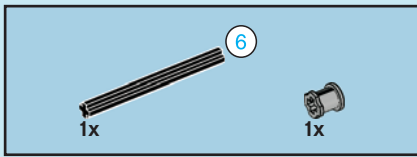


9

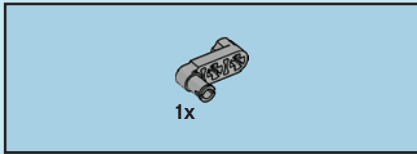
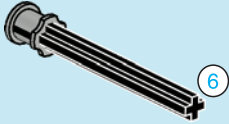


10

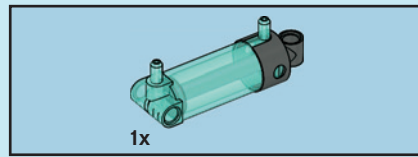
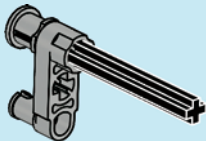




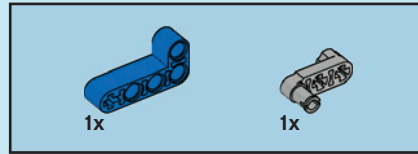
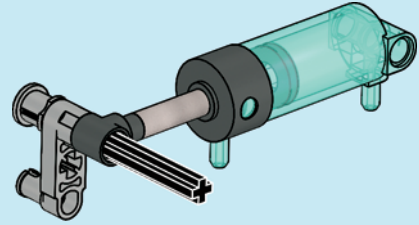
# 11



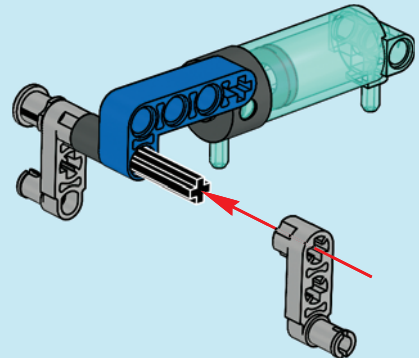
# 12

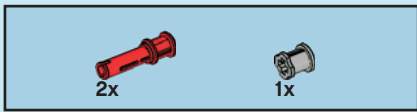


# 13

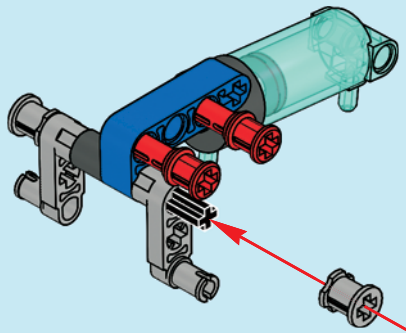


# 14

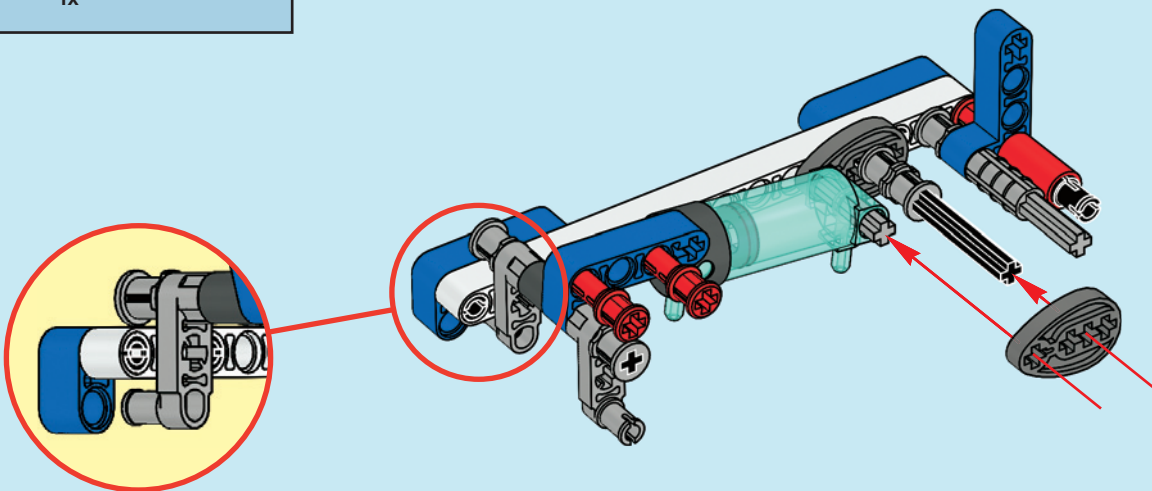


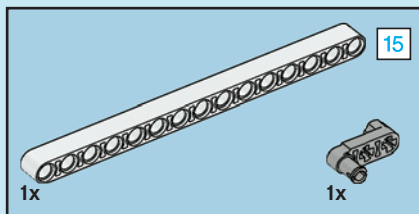


15

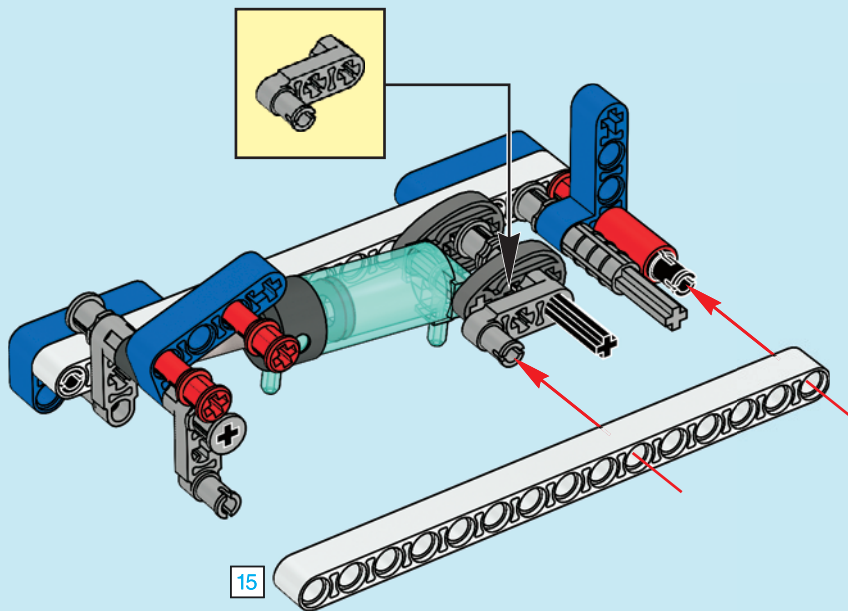


16

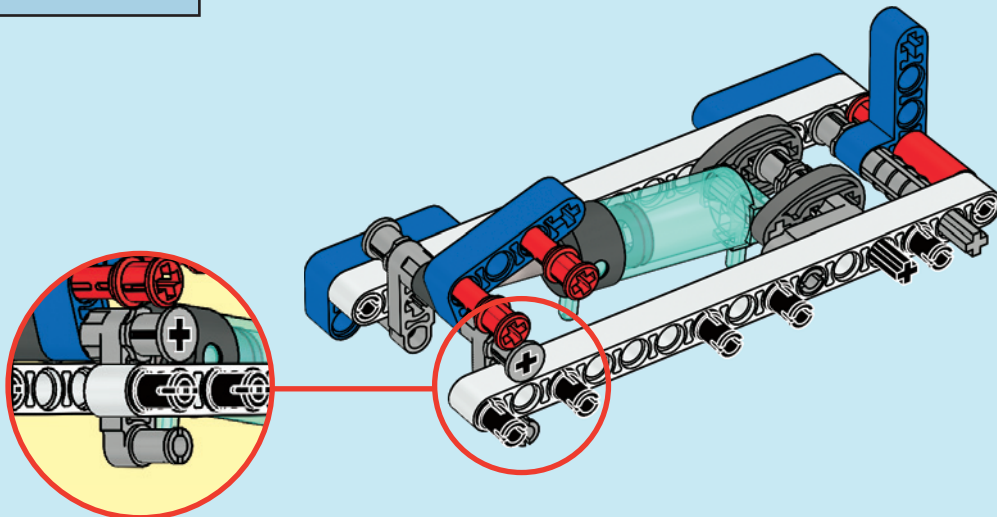




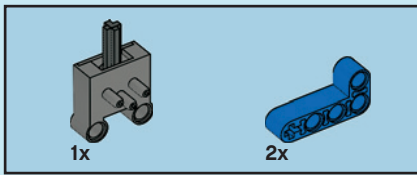
# 17



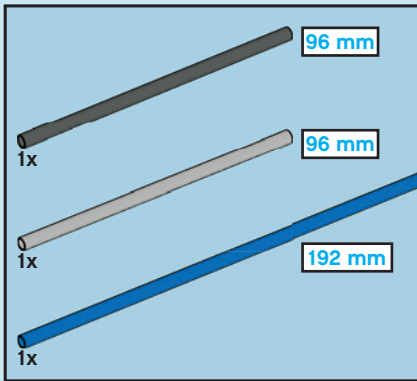
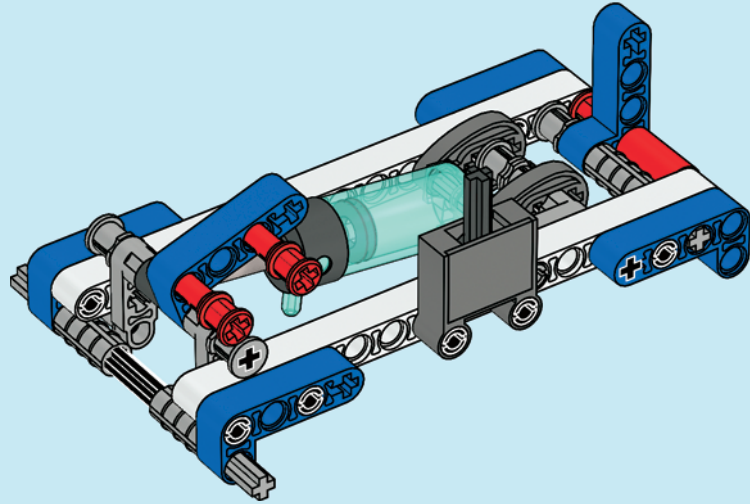
# 18



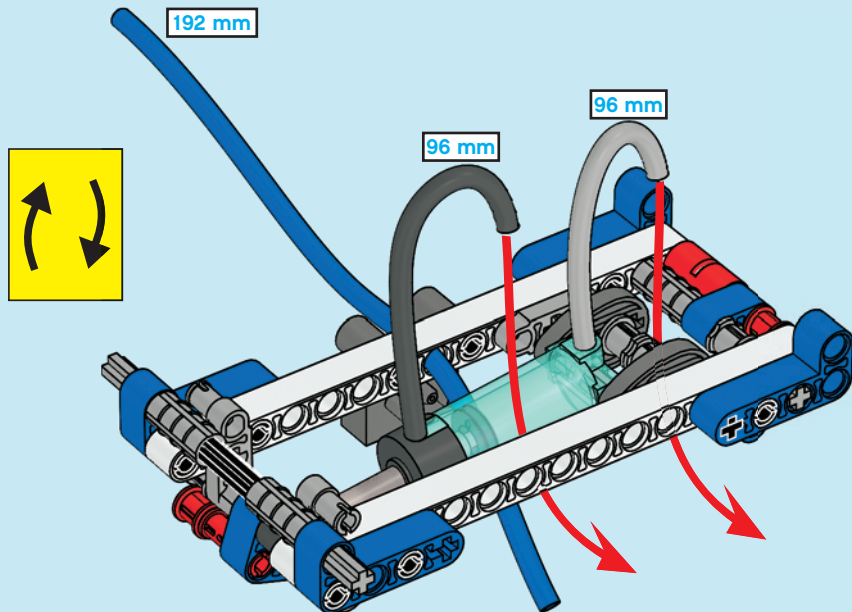




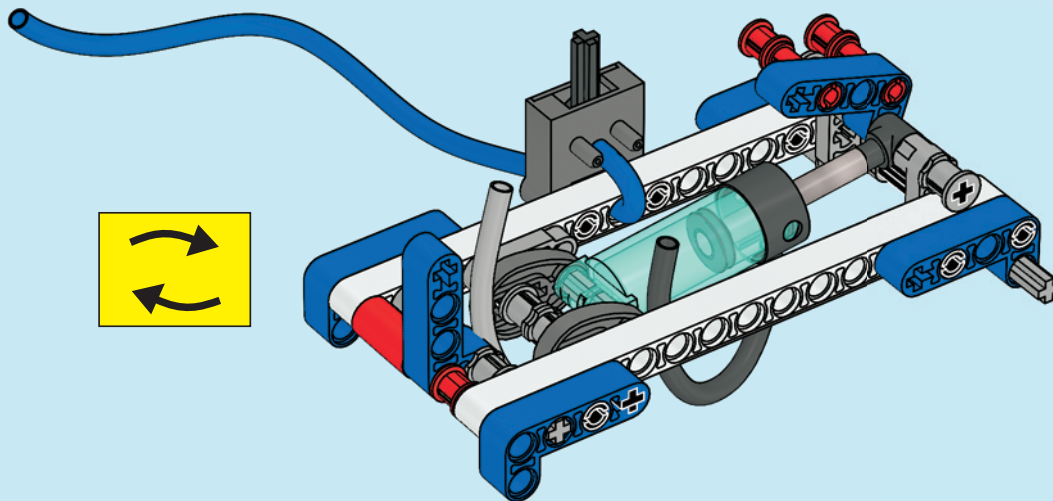
# 20



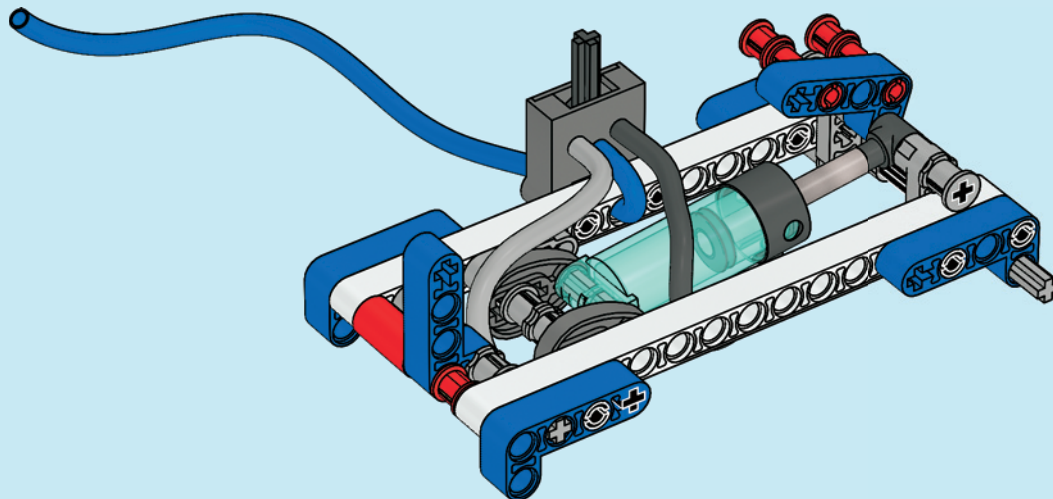
# 21



22



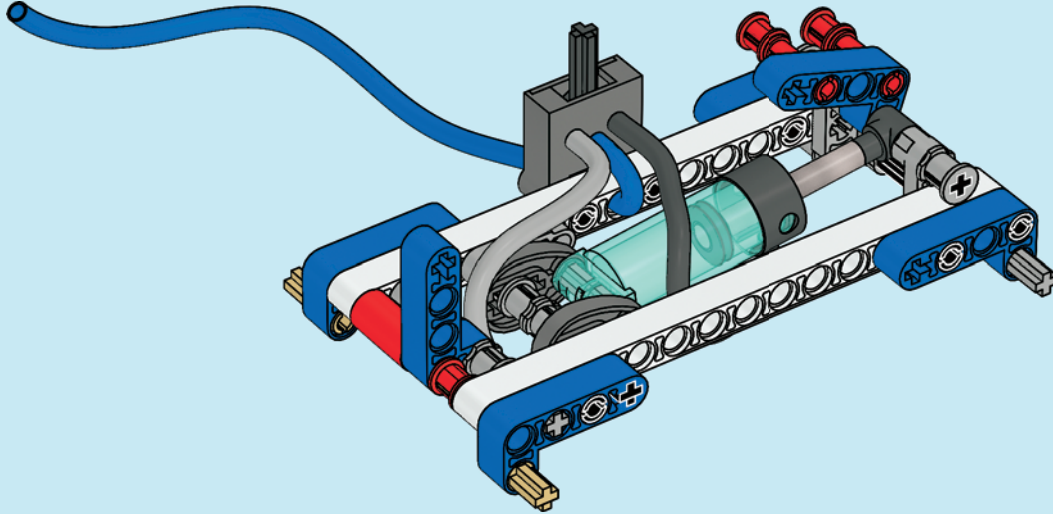
23



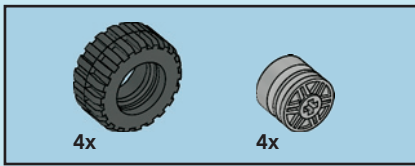


2x

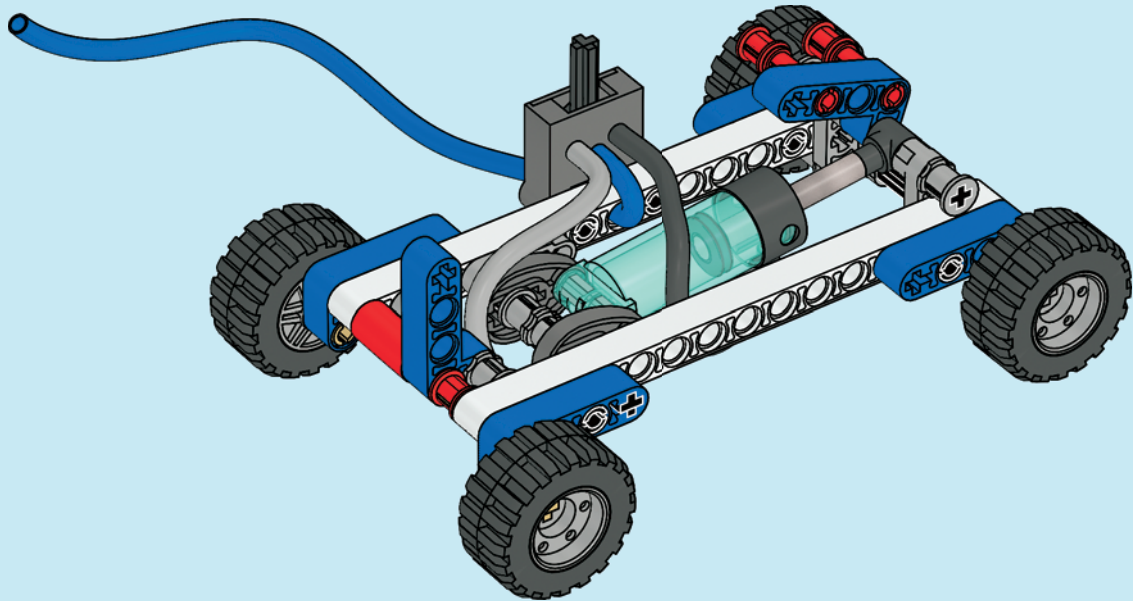
# 24

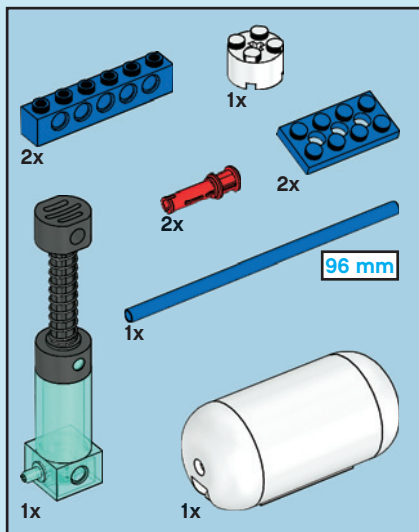






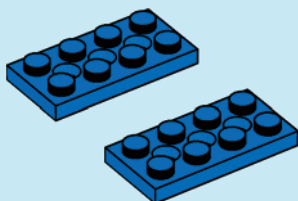
# 25



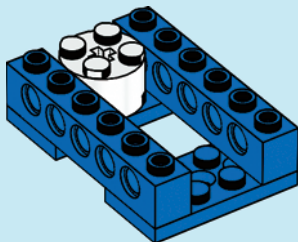


26

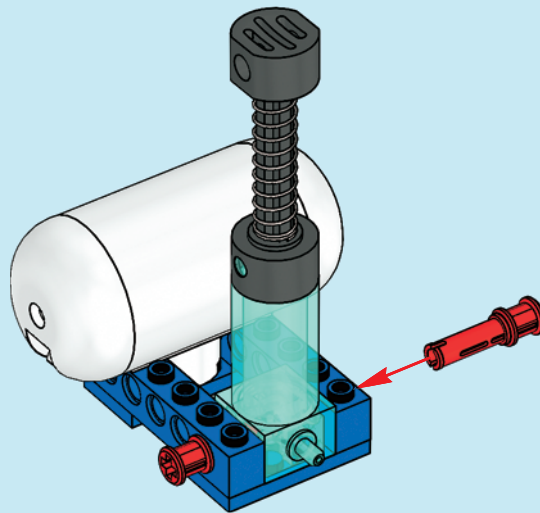
1



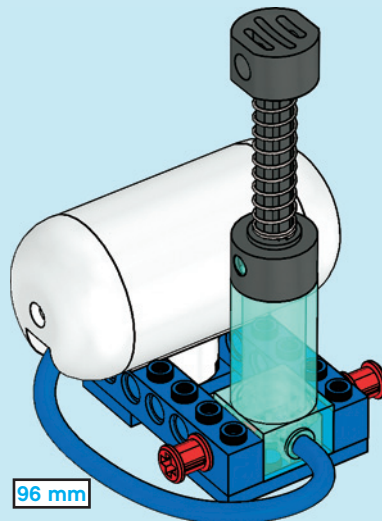
2



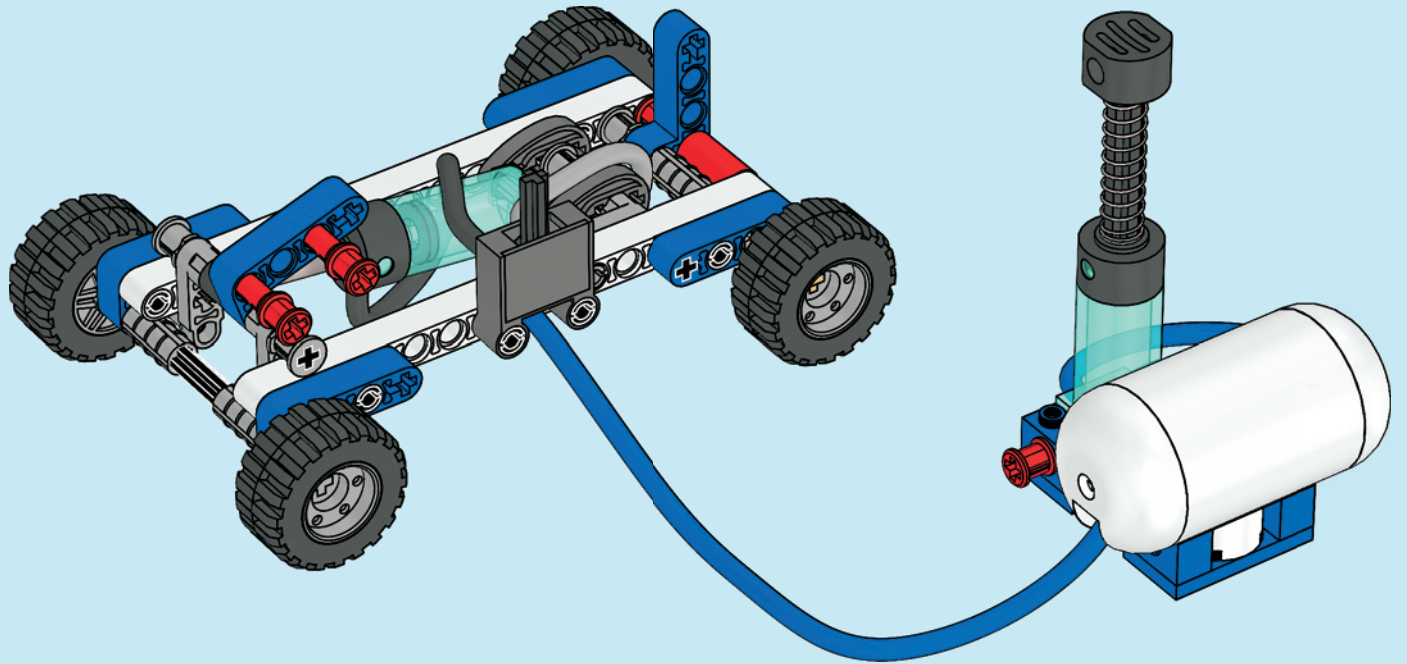
3



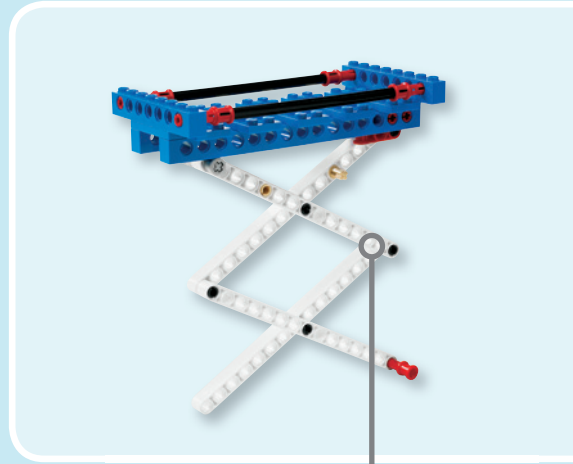
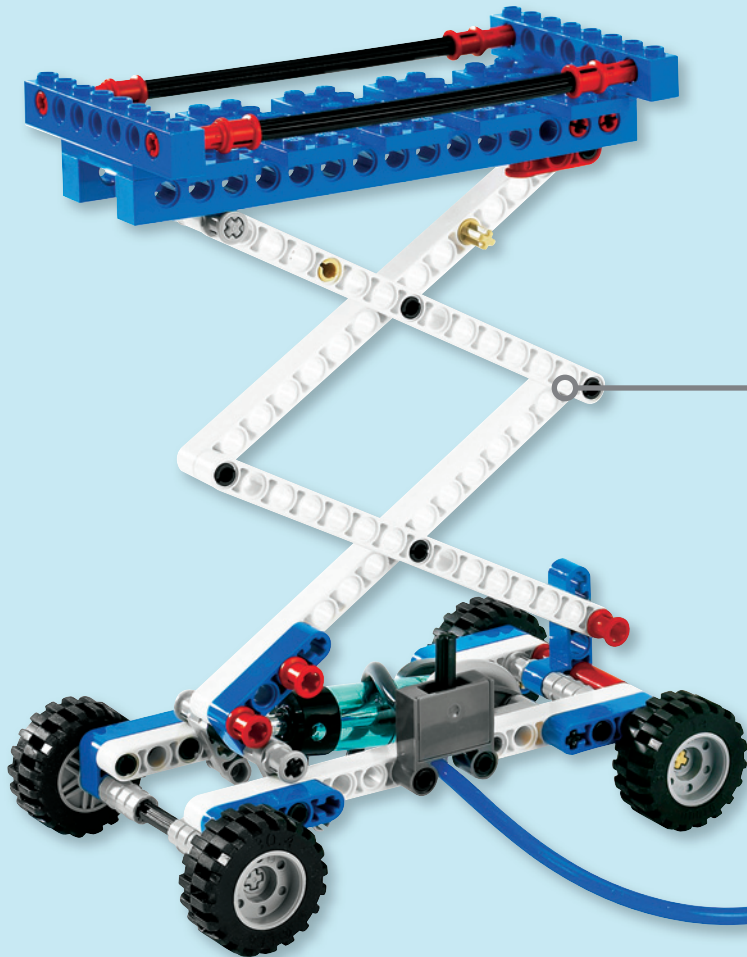
4



27

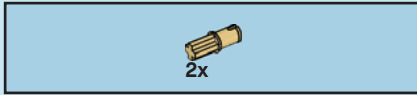
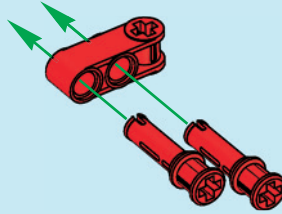




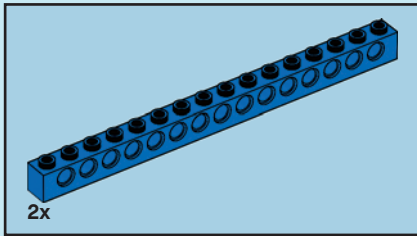
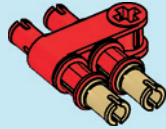




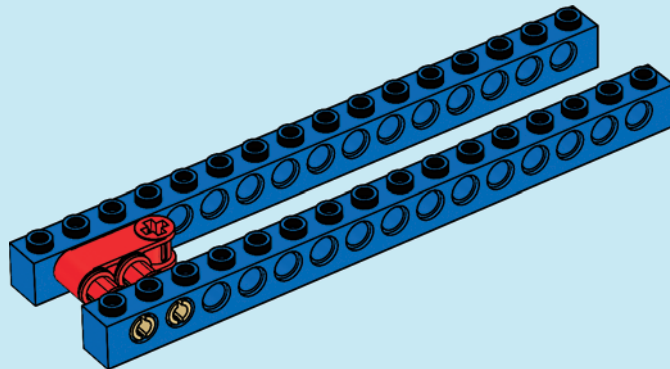
1

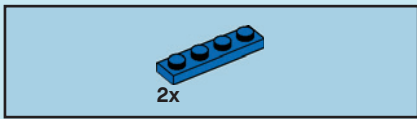


2

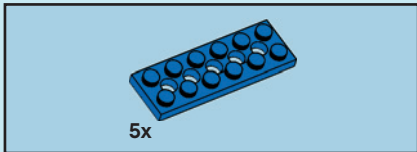
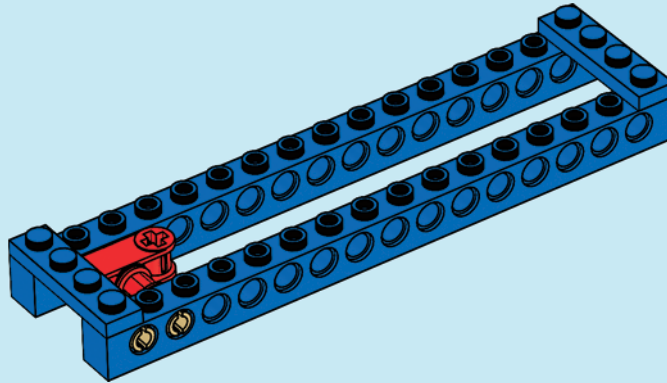


3

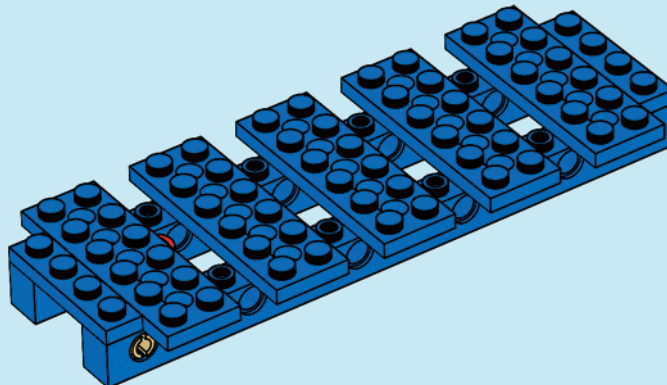


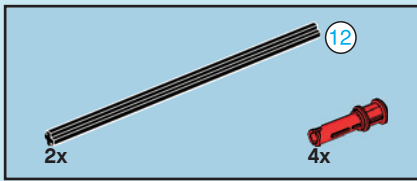


4

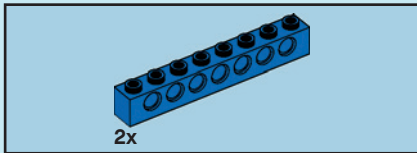
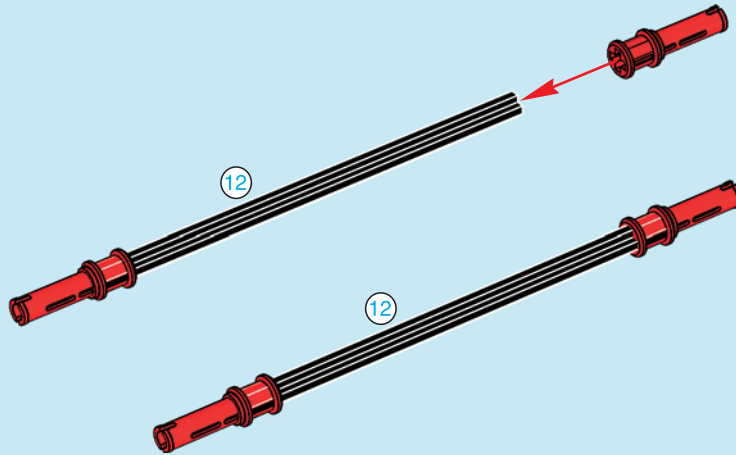


5

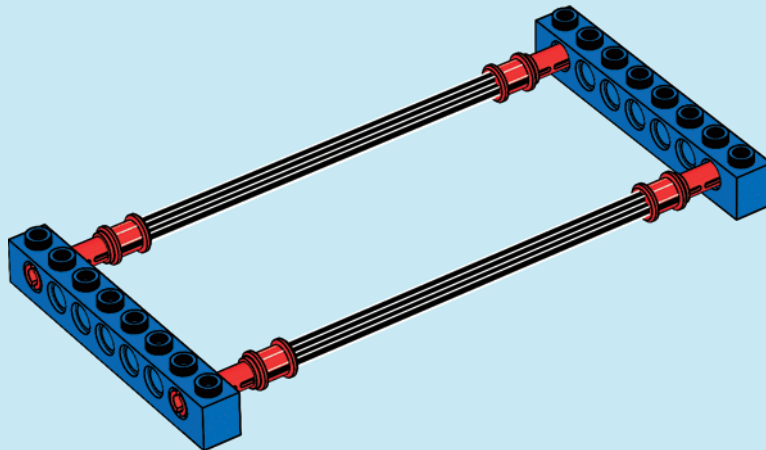




6

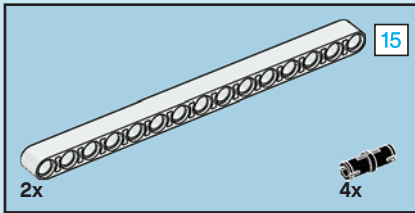
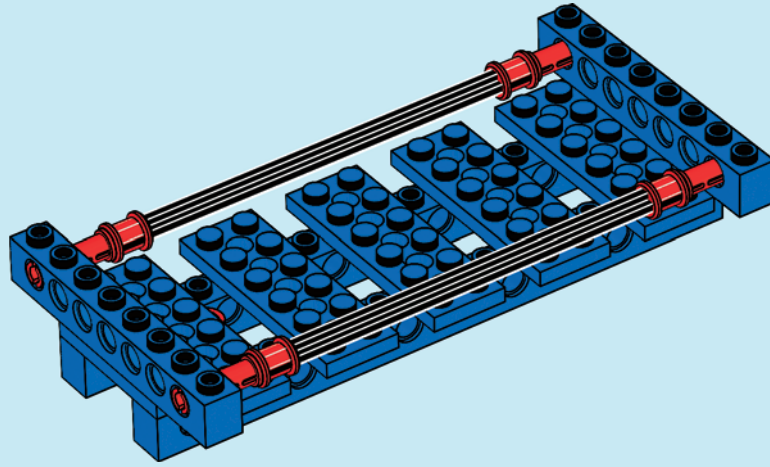


7

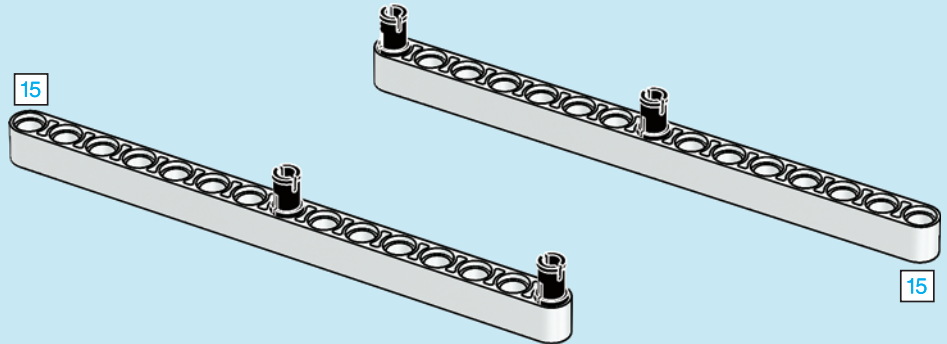


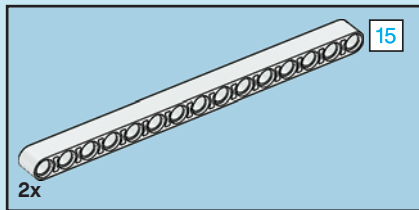


8

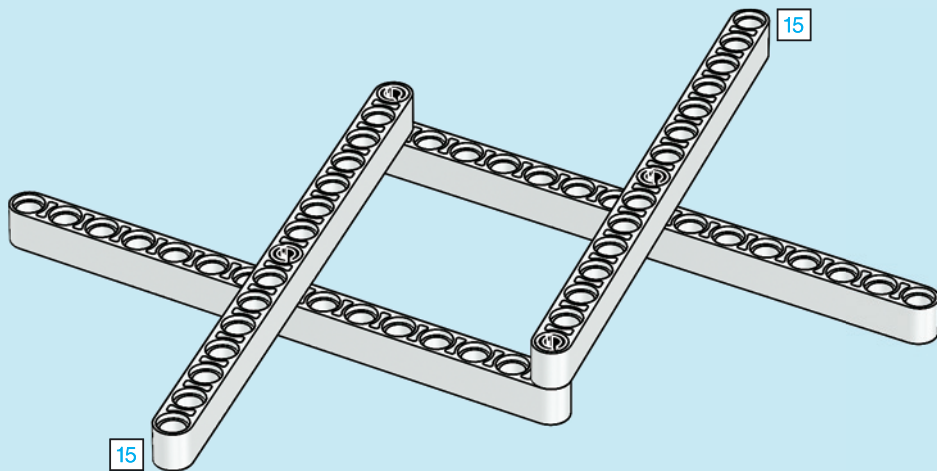
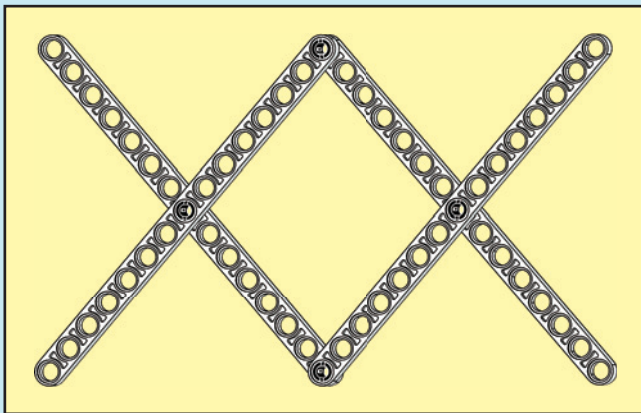


9



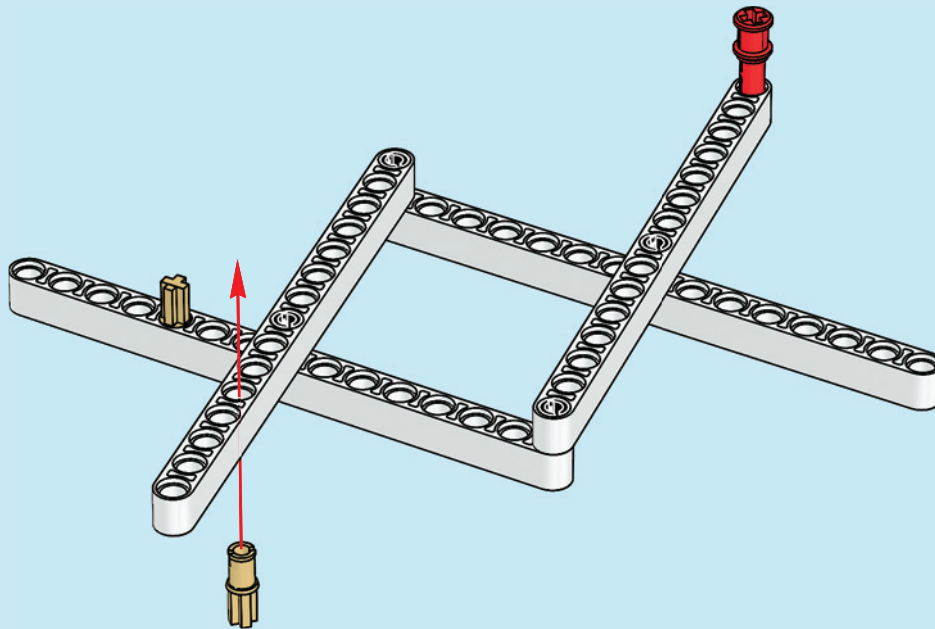


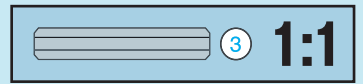
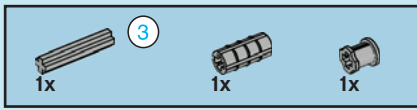
10



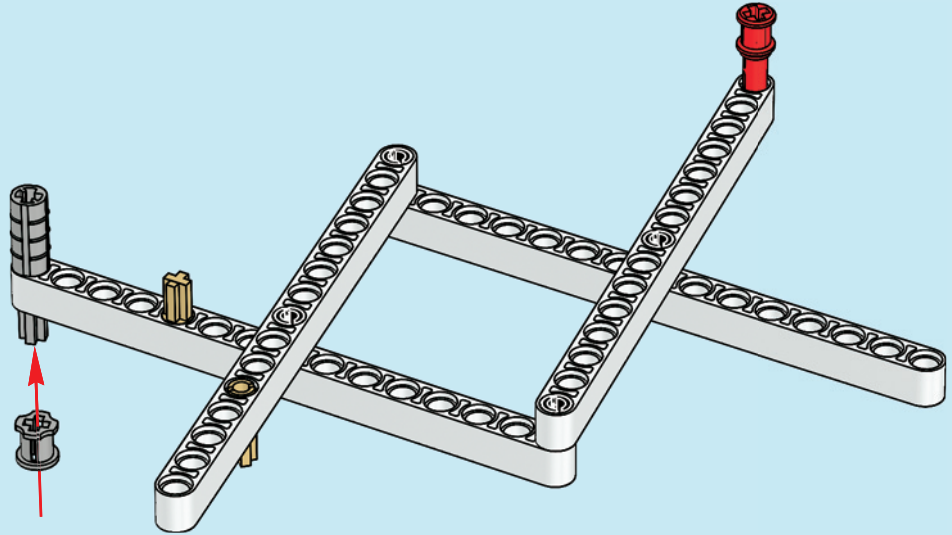
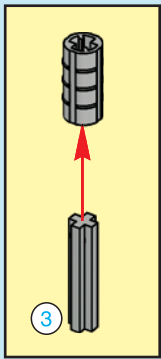


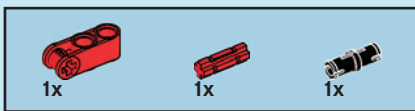
# 11



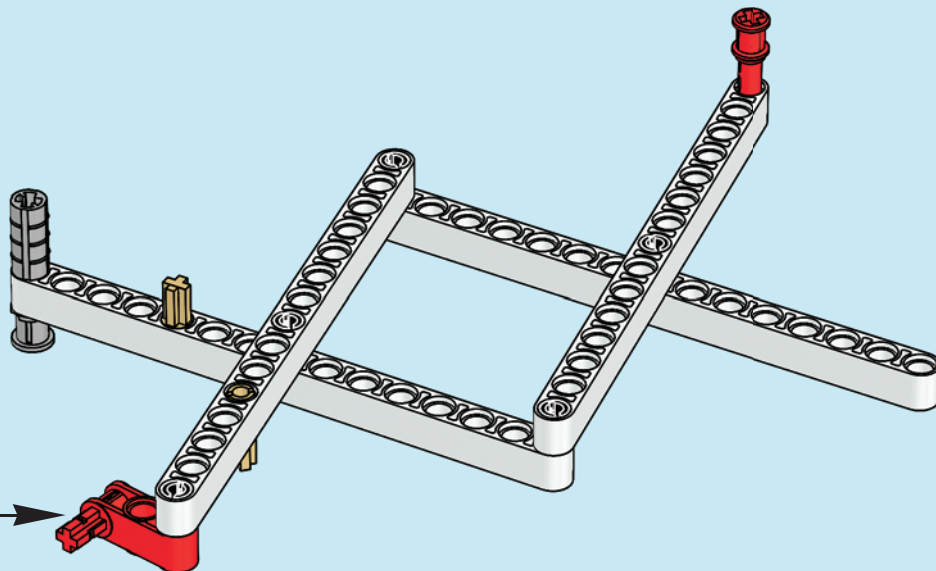
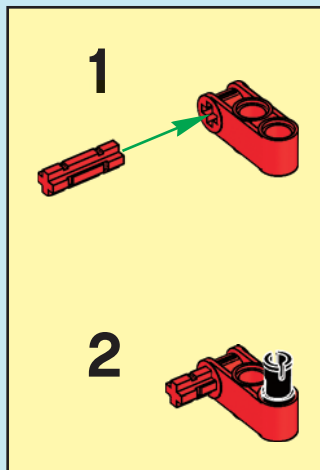


# 12

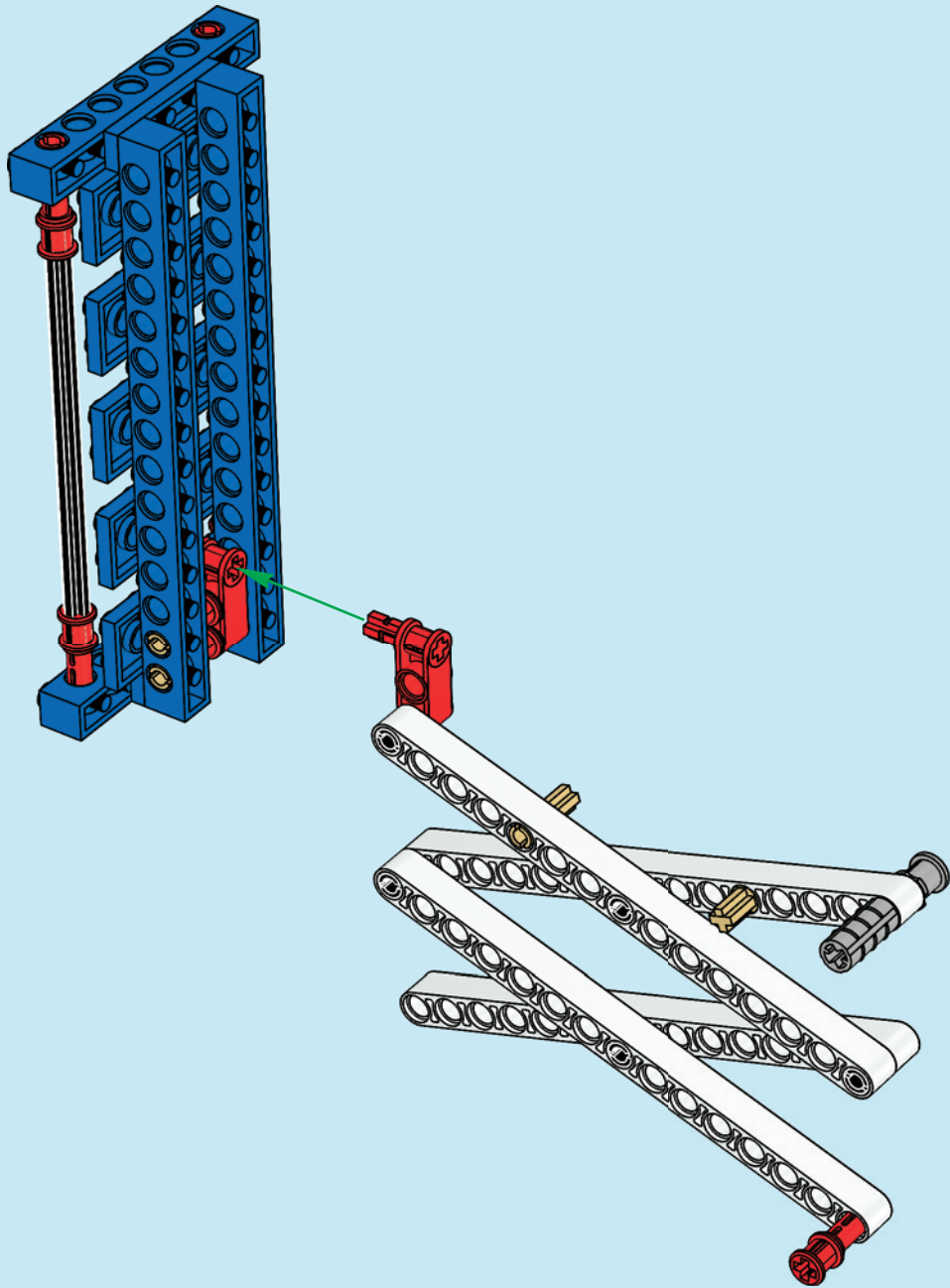




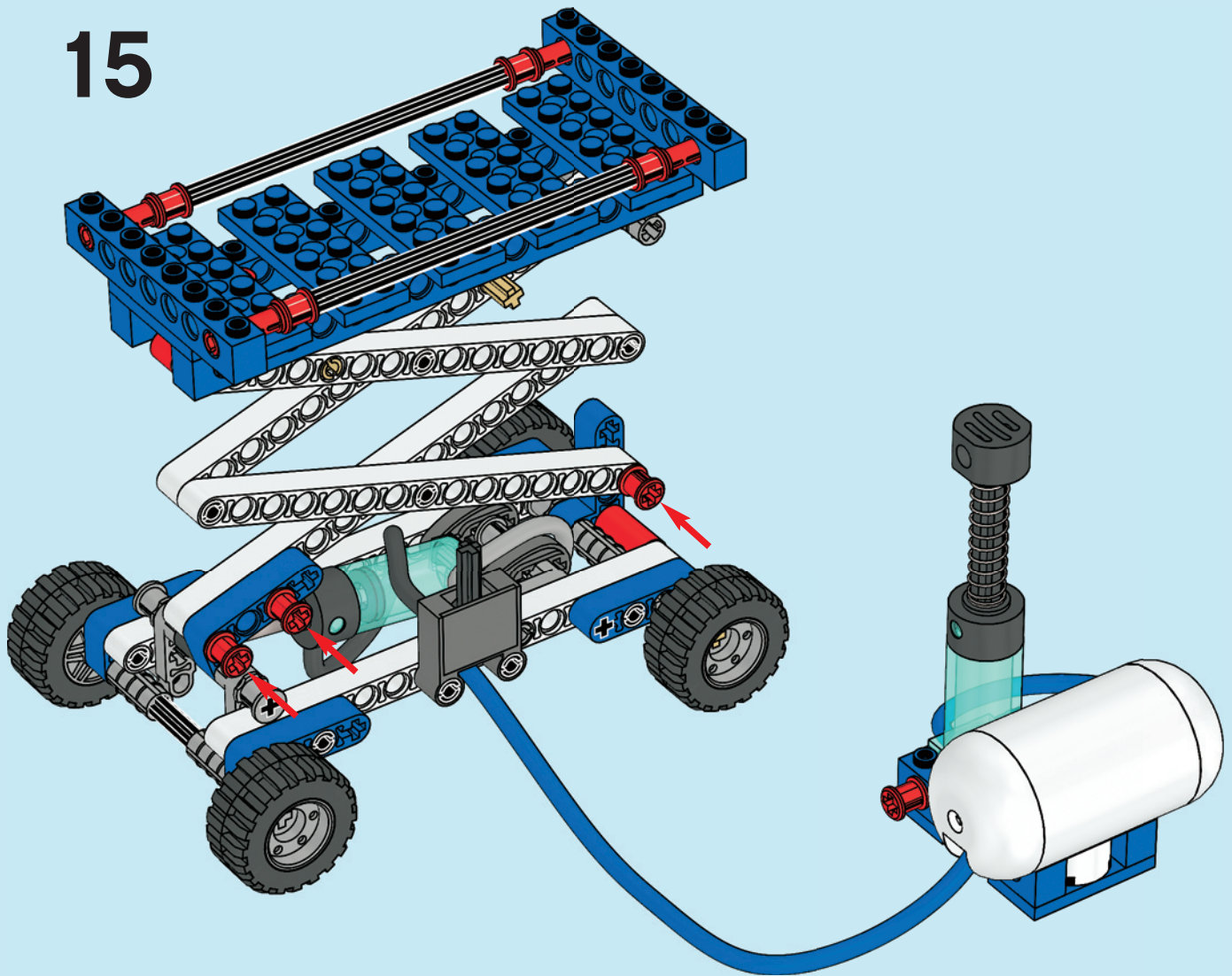
# 13



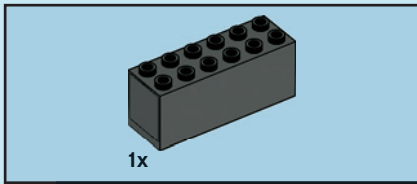
14



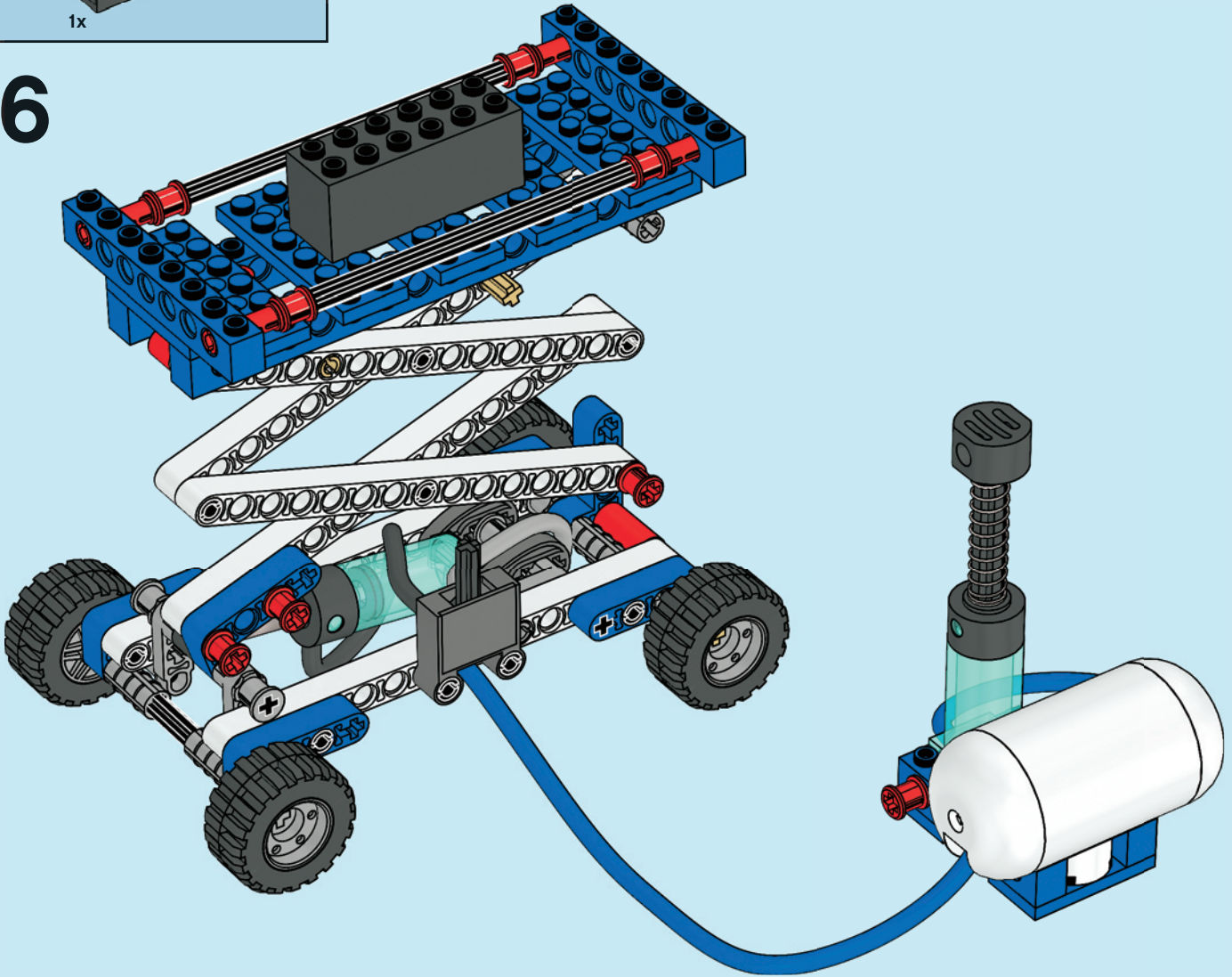
# 15



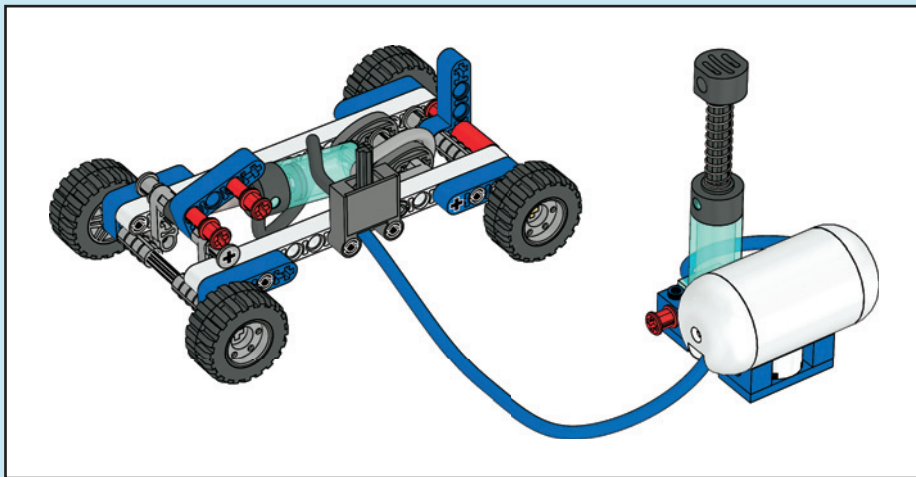
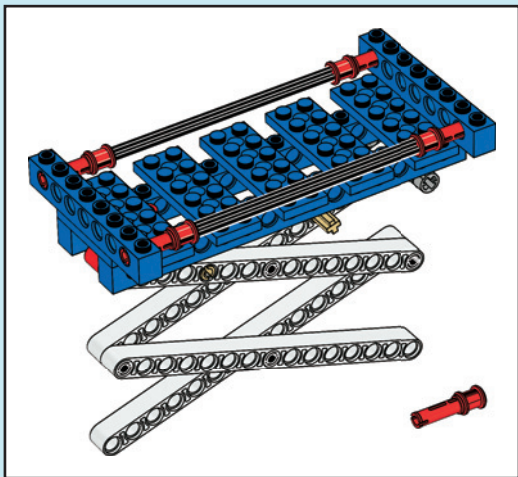




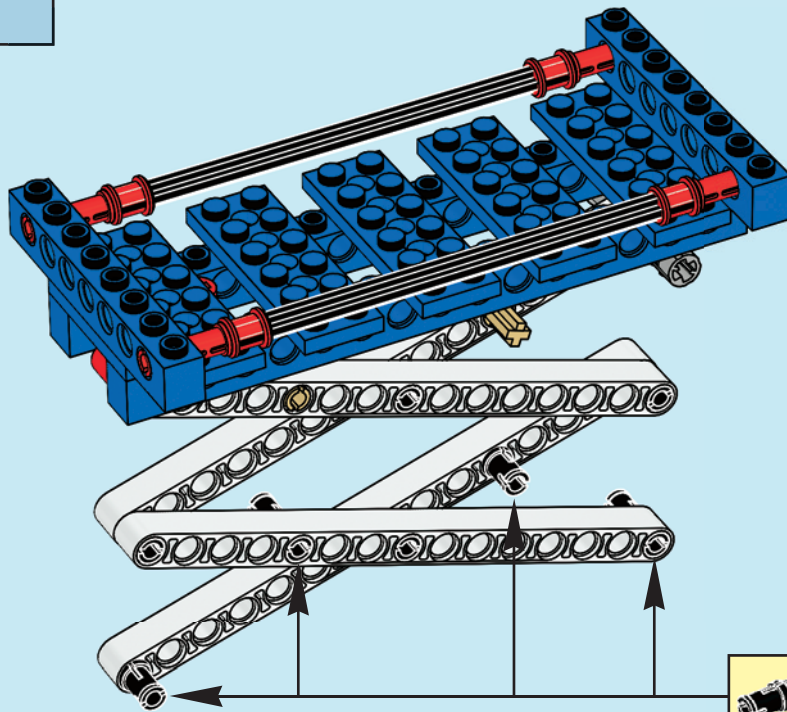
16

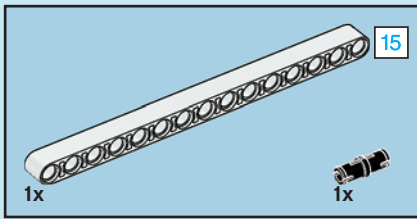




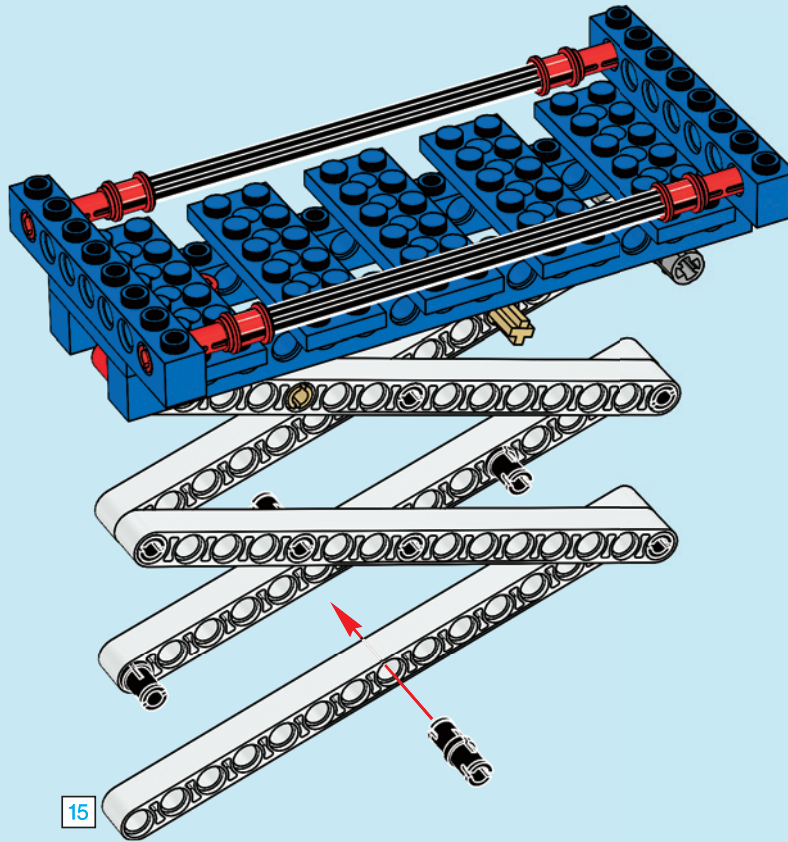


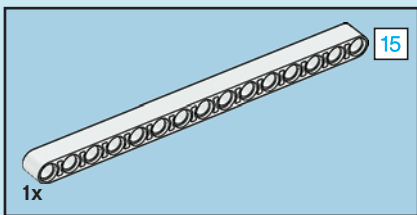
17



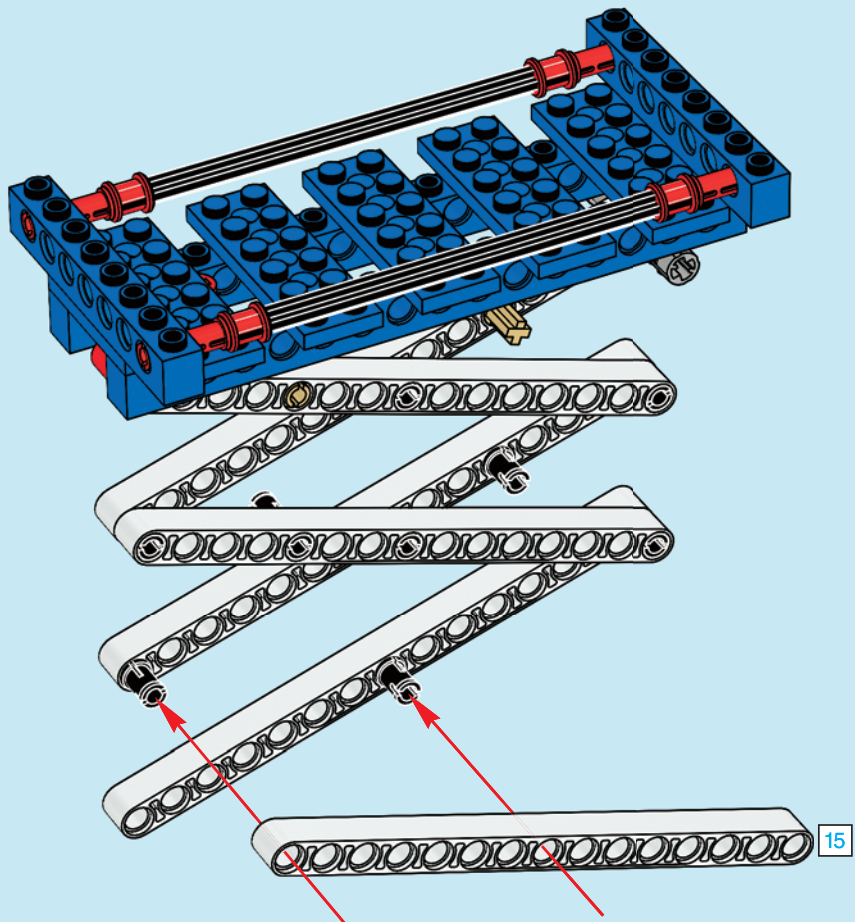


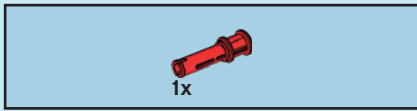
18



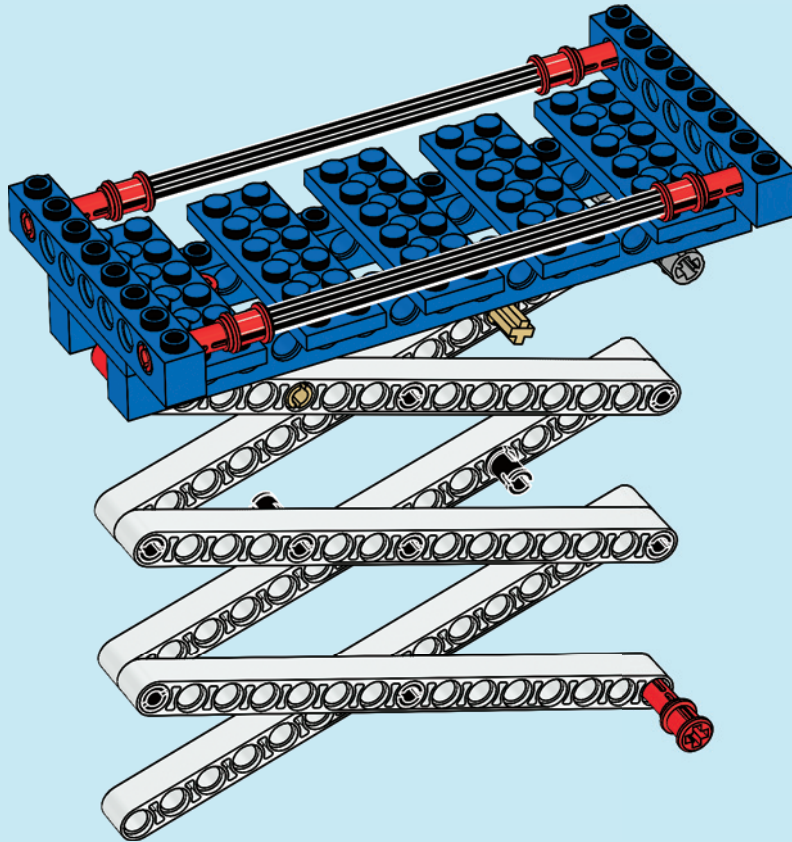


# 19



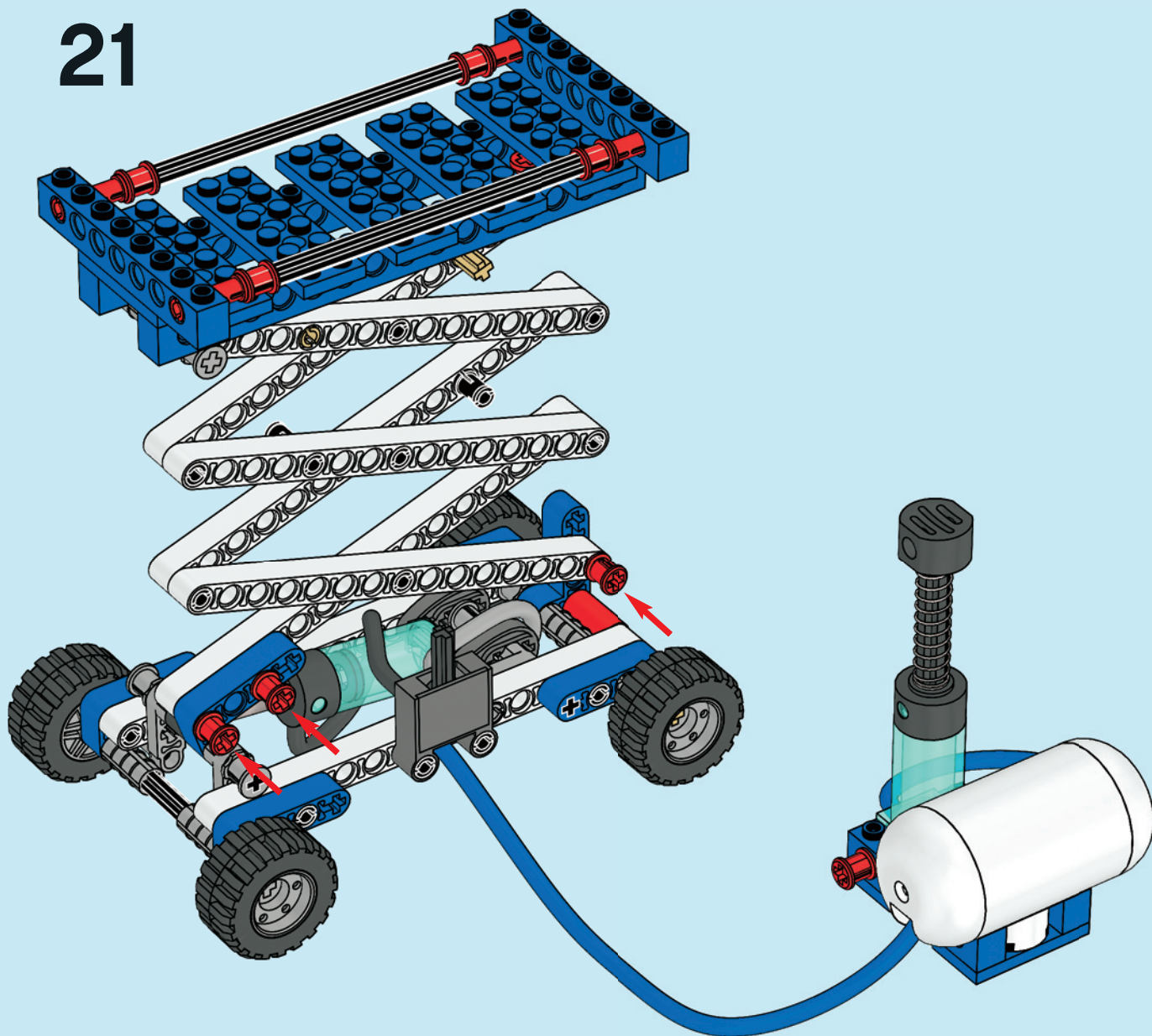


20

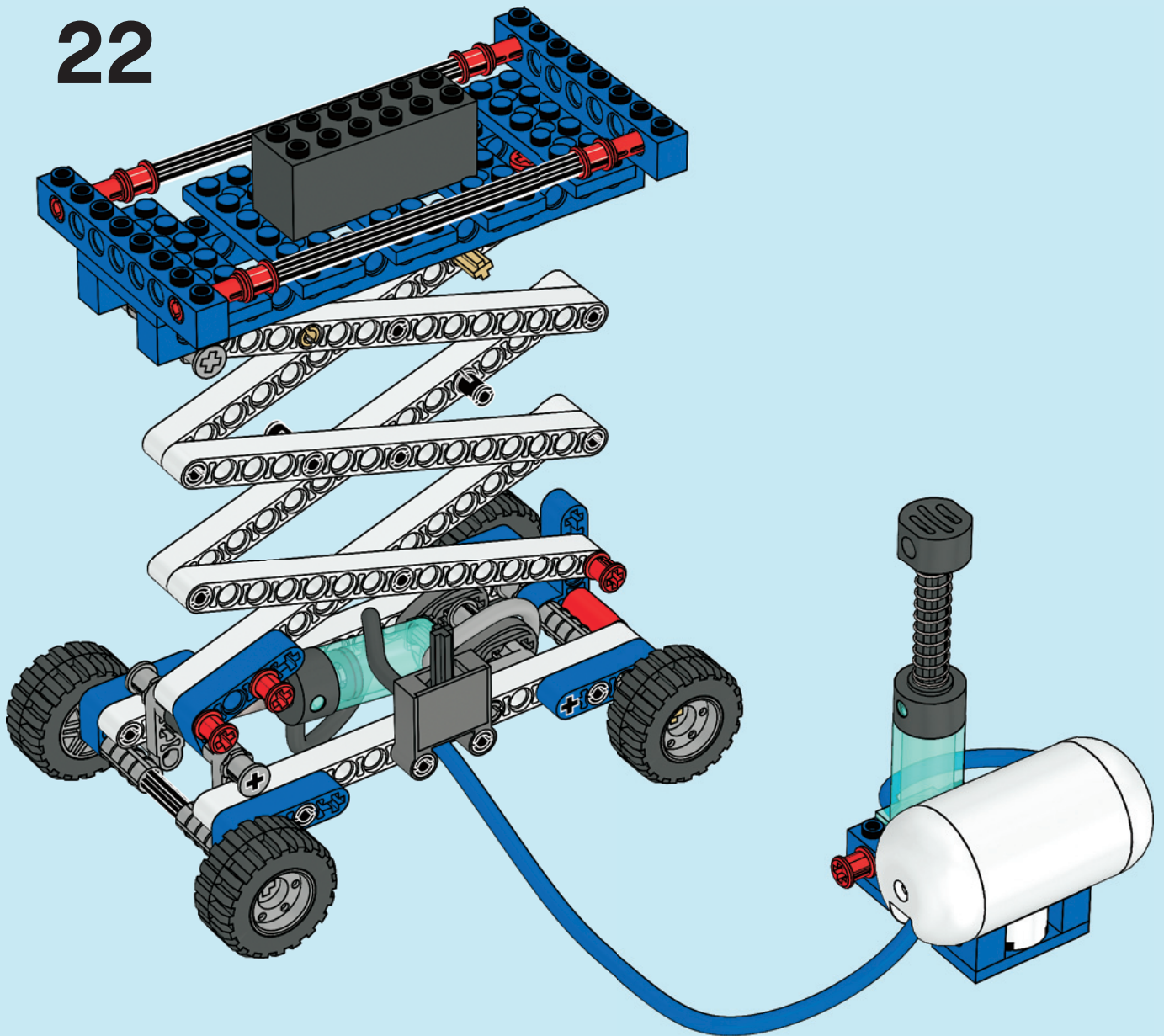


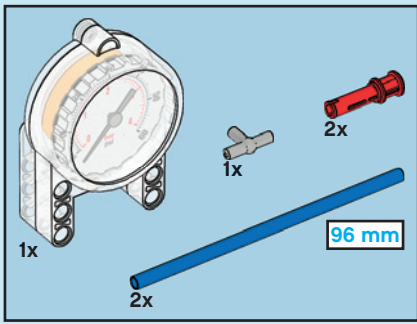


# 21

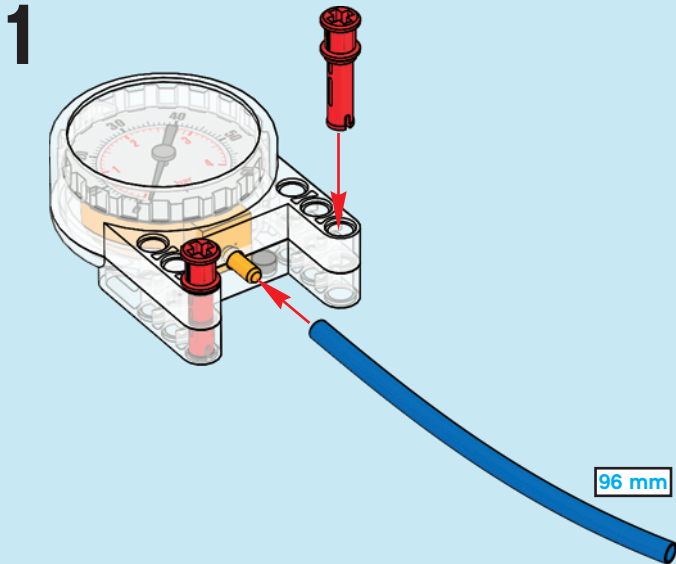


22

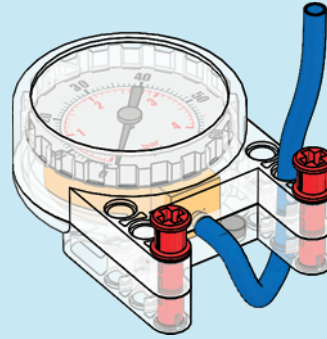




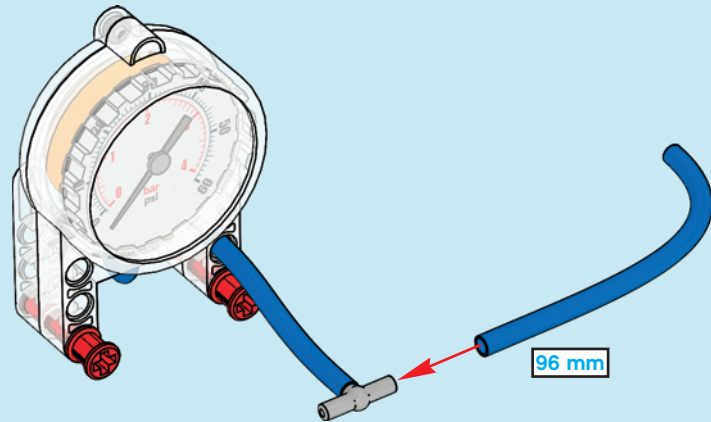
# 23



# 2



# 3



24

